

10 Watts

AER03

Total Power: 10 Watts
Input Voltages: 5 V
No. of Outputs: Single



Electrical Specs

Input

Input range	4.5V - 5.5Vdc
Input Surge	10V
Efficiency	88%@3.3V

Control

Enable	TTL compatible (positive enable option)
--------	--

Output

Regulation (Line, Load, Temp)	<3%
Ripple and noise	30mV
Transient Response	1% max deviation with 50% to 75% full load 40 μ S (max) recovery

Specifications subject to change without notice.

Special Features

- Point of load (POL) applications
- Positive enable function
- Low output ripple and noise
- Fixed frequency switching (150 kHz)
- Overvoltage, over current protection
- Small 1 X 1 Footprint
- Non-Isolated

Environmental

Operating temperature

-25°C to +95°C

Storage temperature: -40°C to +125°C

MTBF: = 5 million hours

Safety

UL, cUL 1950 Recognized

TUV EN60950 Licensed

AMERICAS

5810 Van Allen Way
 Carlsbad, CA 92008
 Telephone: 760-930-4600
 Facsimile: 760-930-0698

EUROPE

Astec House, Waterfront Business Park
 Merry Hill, Dudley
 West Midlands, DY5 1LX, UK
 Telephone: 44 (1384) 842-211
 Facsimile: 44 (1384) 843-355

ASIA

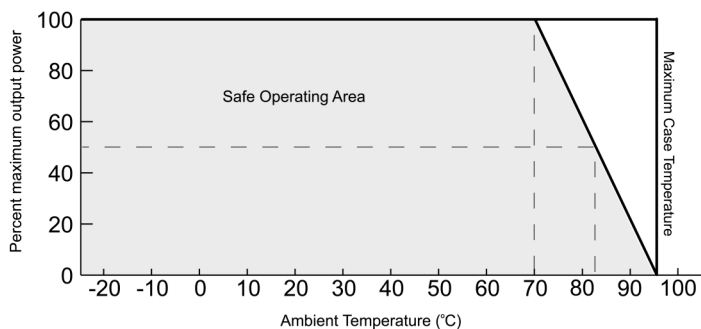
Units 2111-2116, Level 21
 Tower1, Metroplaza
 223, Hing Fong Road
 Fwai Fong, New Territories
 Hong Kong
 Telephone: 852-2437-9662
 Facsimile: 852-2402-4426



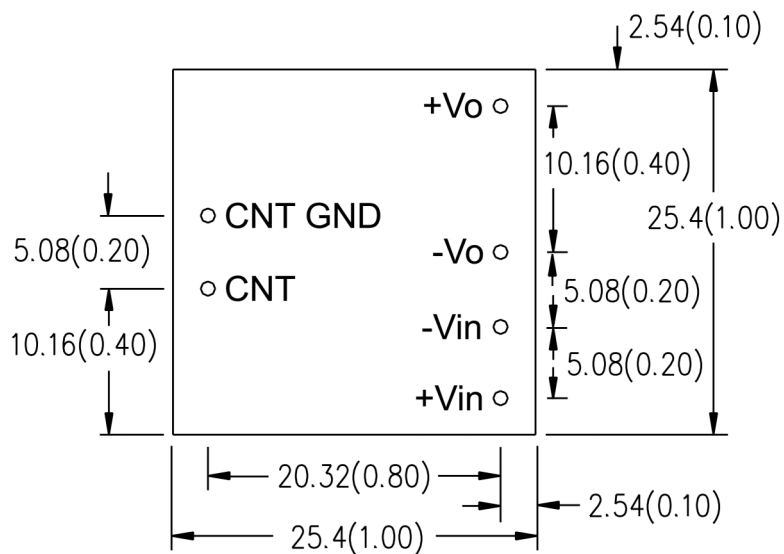
AER03

Ordering Information

Input Voltage	Output Voltage	Efficiency Full Load	Model Number
4.5V-5.5V	3.3V @ 3A	88% (Typ)	AER03F05N



AM10 Temperature Derating



Notes:

- 20 mHz bandwidth. External 10 uF tant. capacitor + 0.1 uF cer. capacitor placed from +V out to -V out.
- All specifications are typical at nominal line, full load, and 25°C unless otherwise noted.
- All specifications subject to change without notice. Mechanical drawings are for reference only.
- Technical Reference Notes should be consulted for detailed information when available.
- Warranty: 1yr

